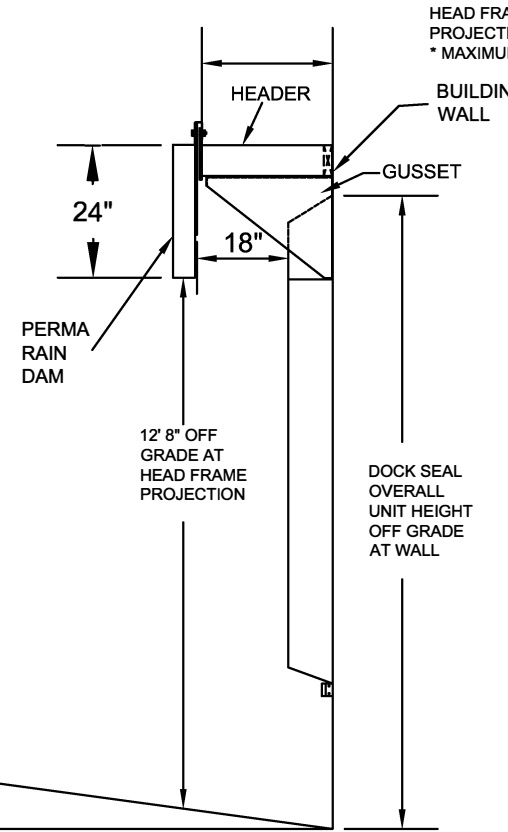
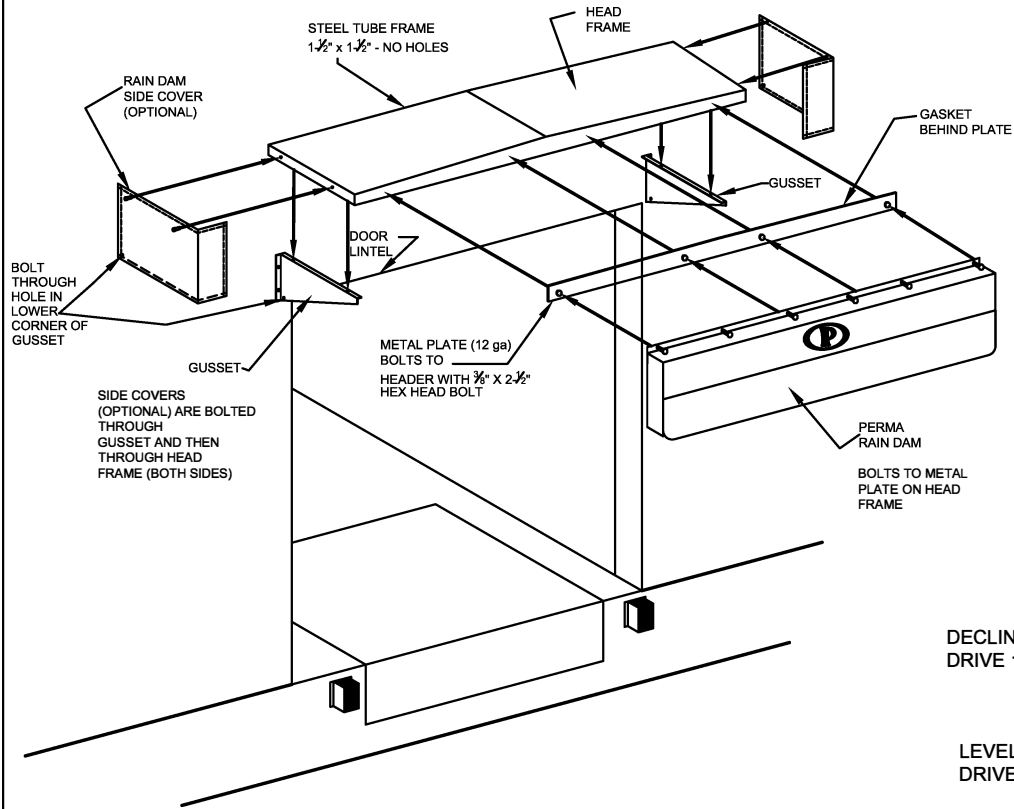


RAIN DAM SPECIFICATION SHEET



HEAD FRAME PROJECTION =
PROJECTION OF SEAL + 18"
* MAXIMUM PROJECTION = 42"

FEATURES:

PROTECTS DOCK FROM MOISTURE INFILTRATION, KEEPING PRODUCTS SAFE FROM COSTLY WATER DAMAGE

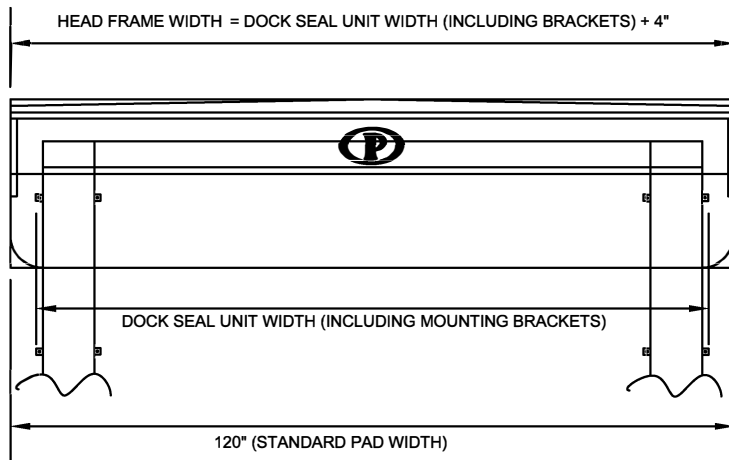
HEAD FRAME MADE OF 20 GA. GALVANIZED STEEL, RAKED FOR FAST WATER DRAINAGE

SEAL IS EASILY REPLACEABLE, REDUCING MAINTENANCE COSTS AND DOWN TIME

MOUNTS OVER EXISTING EQUIPEMENT WITH RUGGED SUPPORT BRACKETS

SIDE COVERS PROVIDE EXTRA PROTECTION FOR THE DOCK AREA (NOT SHOWN)

COVERS TRUCKS 12' 9" TO 13' 6" HIGH



GUSSET

QUANTITY: _____
DOCK SEAL: _____ WIDTH, _____ HEIGHT
SEAL PROJECTION: _____ TOP, _____ BOTTOM
RAIN DAM PROJECTION: _____
HEAD FRAME WIDTH: _____
DOCK SEAL OVERALL UNIT HEIGHT OFF GRADE AT WALL _____

DOOR SIZE: _____ WIDTH, _____ HEIGHT
DOCK HEIGHT: _____, BUMPER PROJECTION _____
APPROACH: LEVEL DECLINE INCLINE
_____ " DIFFERENCE IN 50'-0"
HEAD FRAME MATERIAL: WOOD STEEL
BASE FABRIC: _____, COLOR _____

SPECIAL INFORMATION



PERMA TECH, INC.

363 HAMBURG STREET • BUFFALO, NY 14204
(716) 854-0707 • 1-800-DOC-SEAL
www.permatechinc.com

JOB: _____

DEALER: _____

CONTACT: _____

QUOTE #: _____

APPROVED BY SIGNATURE: _____